

### Features

#### Pre-Rinse Unit

- \* Overall Stainless Construction
- \* Titanium Valve Seat
- \* 36" Flexible Hose with Quick Connect Coupler
- \* 23" V Mount Bracket
- \* Vacuum Breaker
- \* 6' Extension Hose with Quick Connect Coupler

#### Base Faucet

- \* Chrome Plated Brass Construction
- \* ADA Compliant Lever Handles
- \*  $\frac{1}{4}$  Turn Ceramic Cartridges with Built in Check Valves
- \* Full Replacement Parts Available

### Specifications

#### Pre-Rinse Unit

- \* 1.25 GPM at 60 PSI
- \* EPA Act 2005 Compliant
- \* Low Lead Compliant Certified to NSF 372

#### Vacuum Breaker

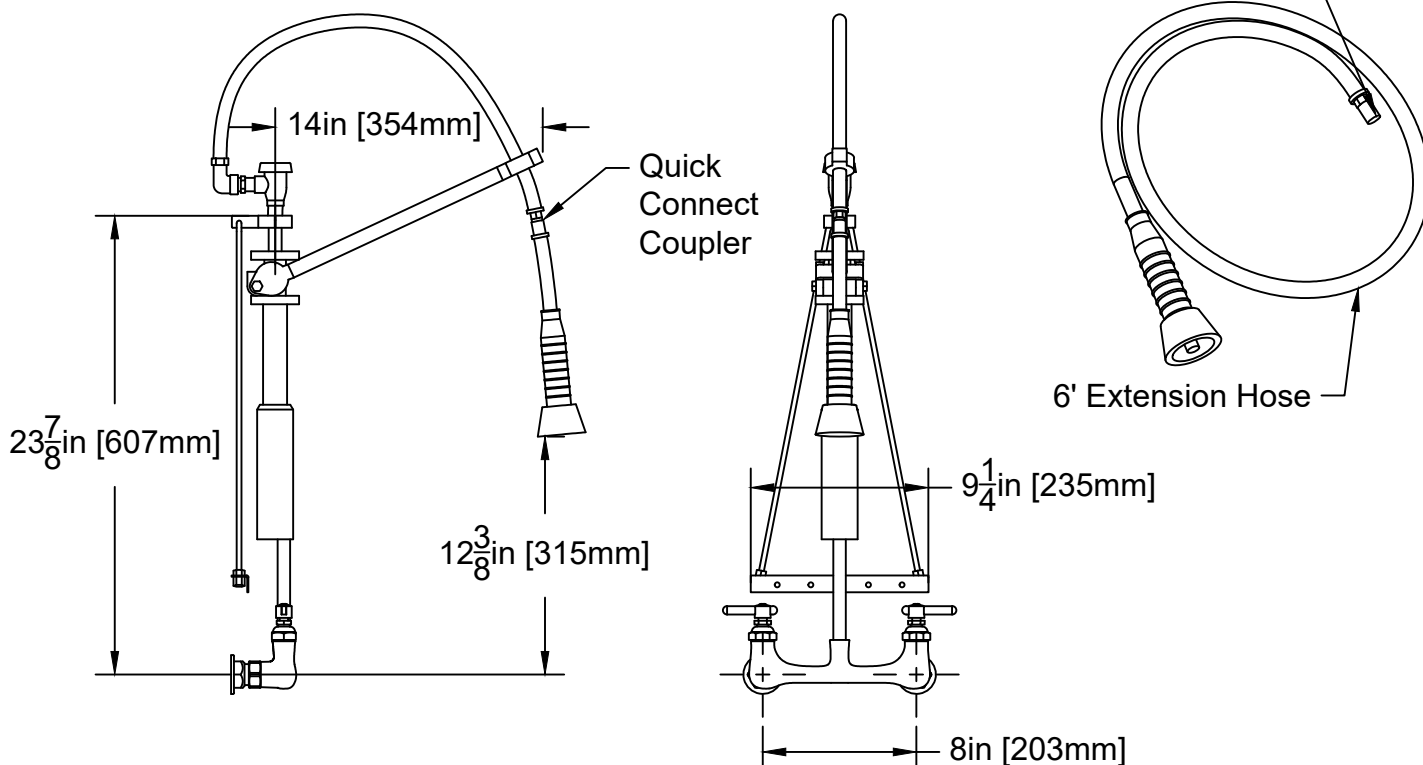
- \* Low Lead Compliant Certified to NSF 372
- \* Silicone Disk Seat

#### Base Faucet

- \* 8" On Center Wall Mount with  $\frac{3}{8}$ " NPT Outlet
- \* Low Lead Compliant Certified to NSF 61-372



Quick Connect Coupler



6' Extension Hose