



HIMI
Hayes Ivy Manufacturing, Inc.

INSTINCT[®]
COMMERCIAL FAUCETS

Part Number
IF6002-8W

Features

Pre-Rinse Unit

- * Overall Stainless Steel Construction
- * Titanium Valve Seat
- * 60" Flexible Hose with Quick Connect Coupler
- * 12" Wall Mount Bracket
- * Vacuum Breaker
- * 6' Extension Hose with Quick Connect Coupler

Base Faucet

- * Chrome Plated Brass Construction
- * ADA Compliant Lever Handles
- * $\frac{1}{4}$ Turn Ceramic Cartridges with Built in Check Valves
- * Full Replacements Parts Available

Specifications

Pre-Rinse Unit

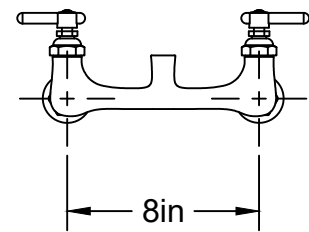
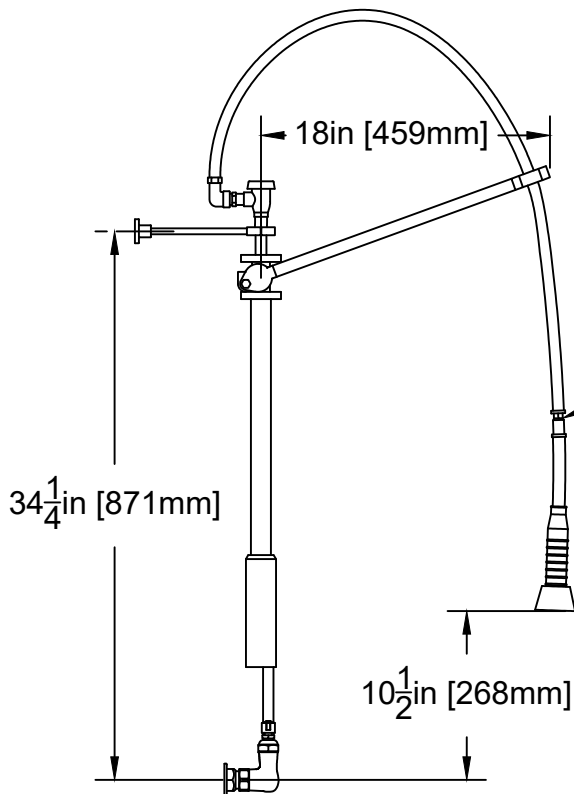
- * 1.25 GPM at 60 PSI
- * EPA Act 2005 Compliant
- * Low Lead Compliant Certified to NSF 372

Base Faucet

- * 8" On Center Wall Mount with $\frac{3}{8}$ " NPT Outlet
- * 12" Heavy Duty Spout
- * Low Lead Compliant Certified to NSF 61-372

Vacuum Breaker

- * Low Lead Compliant Certified to NSF 372
- * Silicone Disk Seat



Quick Connect Coupler

6' Extension Hose

